

CRHT202 Series

High Temperature Cable Reduction Box, Stainless Steel Enclosure, NEMA 4X (IP66) Rated, -40 to 212 °F (-40 to 100 °C)



VIBRATION ANALYSIS HARDWARE

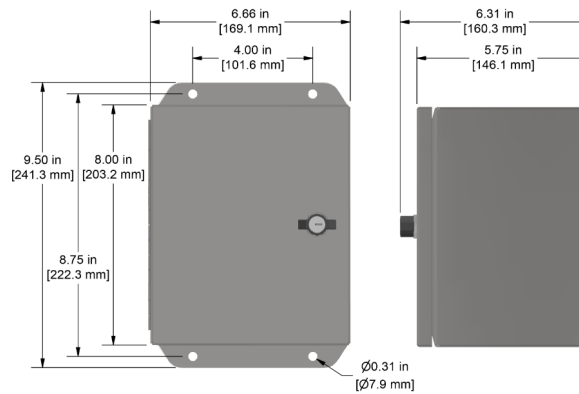


Product Features

Reduce Cable Clutter in High Temperature Areas

Ideal solution for consolidating cables & reducing costs

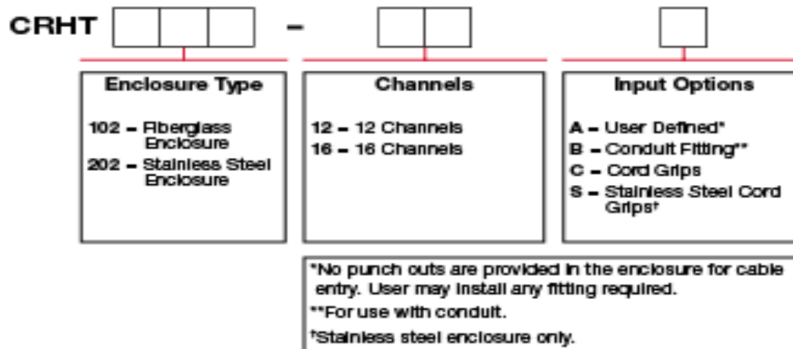
- ▶ Reduce up to 16 individual cables to one multi-conductor cable
- ▶ Can reduce cable costs by as much as 75%
- ▶ Exit conduit comes pre-installed for boxes with factory penetrations (no exit conduit is supplied if User Defined is selected).



Specifications

Temperature Range	-40 to 212°F (-40 to 100 °C)
Enclosure Material	Stainless Steel
Inputs	Terminal Block 3 Inputs per Channel (+, -, Shield)
Outputs	Terminal Block 3 Inputs per Channel (+, -, Shield)
Sensor Input Options	12 or 16 Channels
Rating	NEMA 4X (IP66)
Door Closure	Twist Lock
Dimensions	6.66 x 9.50 x 6.31 in. (169 x 241 x 160 mm)
Cord Grips	Optional
Resistance	Resistant to Hose Directed Fluid and Corrosion

Ordering Information



Backed by our Unconditional Lifetime Warranty

www.ctconline.com | sales@ctconline.com | 585-924-5900