

CR102 Series

Cable Reduction Box, Fiberglass Enclosure, NEMA 4X (IP66) Rated, -58 to 180 °F (-50 to 82 °C)



VIBRATION ANALYSIS HARDWARE

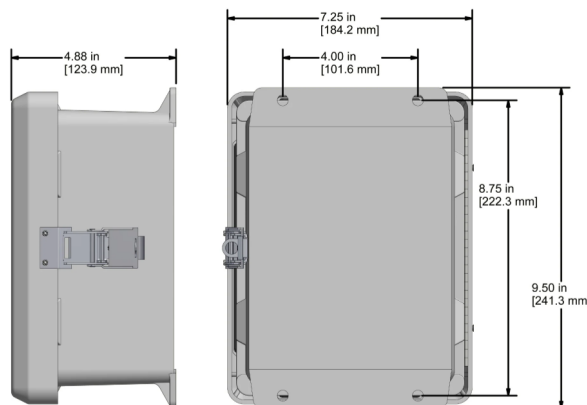


Product Features

Helps Reduce Cable Clutter

Ideal solution for consolidating cables & reducing costs

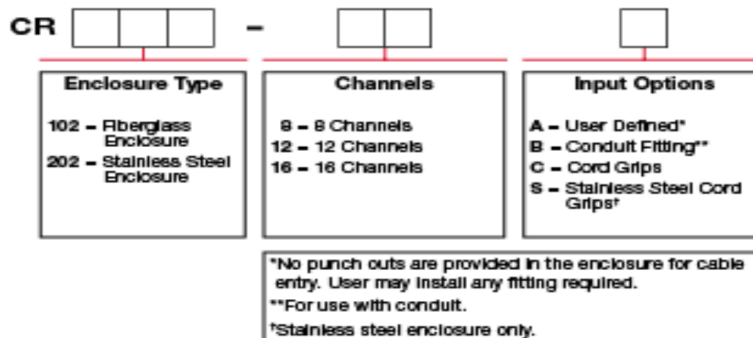
- ▶ Reduce up to 16 individual cables to one multi-conductor cable
- ▶ Can reduce cable costs by as much as 75%
- ▶ Exit conduit comes pre-installed for boxes with factory penetrations (no exit conduit is supplied if User Defined is selected).



Specifications

Temperature Range	-58 to 180 °F (-50 to 82 °C)
Enclosure Material	Fiberglass
Inputs	Terminal Block 3 Inputs per Channel (+, -, Shield)
Outputs	Terminal Block 3 Outputs per Channel (+, -, Shield)
Sensor Input Options	16 Single Axis Sensor Inputs
Rating	NEMA 4X (IP66)
Door Closure	Snap Latch
Dimensions	7.25 x 9.50 x 4.88 in. (184 x 241 x 124 mm)
Cord Grips	Optional
Resistance	Resistant to Hose Directed Fluid and Corrosion

Ordering Information



Backed by our Unconditional Lifetime Warranty

www.ctconline.com | sales@ctconline.com | 585-924-5900