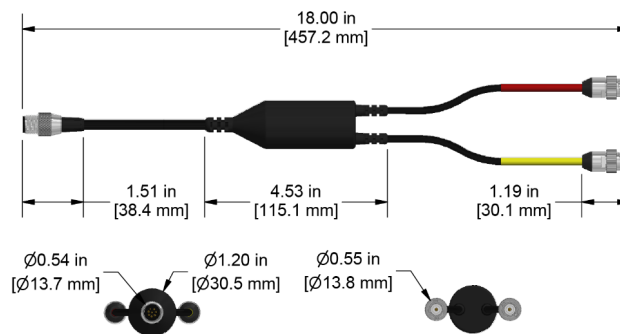


CMX2272



VIBRATION ANALYSIS HARDWARE

Emerson 2140 Compatible, 8 Pin Circular M12 to Dual BNC Connectors for Voltage and Tachometer Input, 17 in. (43 cm) Overall Length, BNC "E" Jack for Voltage Input, BNC "F" Plug for Tachometer Input



Specification

Jacket Material	Polyurethane
Cable Length	17 in. (43 cm) ±1 in. (2.5 cm)
Connectors	8 Pin Circular M12, to Dual BNC Jacks Labeled: Chan A (Red) Tach (Yellow)
Input	Voltage and Tachometer Input
Cable Diameter	One 0.25 in. (6.35 mm) Cable into Two 0.175 in. (4.45 mm) Cables
Conductor Cable	One 4 Conductor Cable into Two 2 Conductor Cables
Max Temperature	250 °F (121 °C)

Compatible Data Collectors

CSI2140 with TTL Tach

Ratings & Certifications



Built to Order

Backed by our Unconditional Lifetime Warranty

www.ctconline.com | sales@ctconline.com | 585-924-5900