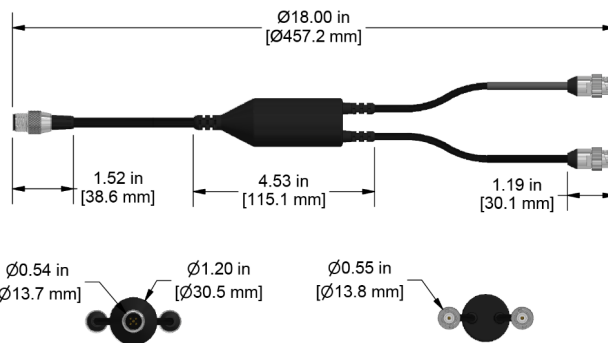


# CMX2262-F



VIBRATION ANALYSIS HARDWARE

Emerson 2140 Compatible, 5 Pin M12 Connector to Dual BNC "F" Plugs, 17 in. (43 cm) Overall Length, Dual Channel Acceleration Input, Channel "C" Gray, Channel "D" Black



Specification	
Jacket Material	Polyurethane
Cable Length	17 in. (43 cm) ±1 in. (2.5 cm)
Connectors	5 Pin M12, to Dual BNC Plugs Labeled: Chan C (Gray) Chan D (Black)
Input	Dual Acceleration Input
Cable Diameter	One 0.25 in. (6.35 mm) Cable into Two 0.175 in. (4.45 mm) Cables
Conductor Cable	One 4 Conductor Cable into Two 2 Conductor Cables
Max Temperature	250 °F (121 °C)

### Compatible Data Collectors

Emerson 2140

### Ratings & Certifications

**RoHS**

**Built to Order**

**Backed by our Unconditional Lifetime Warranty**

[www.ctconline.com](http://www.ctconline.com) | [sales@ctconline.com](mailto:sales@ctconline.com) | 585-924-5900