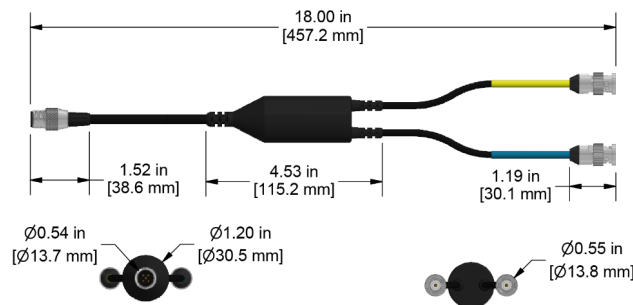


# CMX2253



Emerson 2130 Compatible, 5 Pin Molded M12 Connector to Dual BNC "F" Jacks, 17 in. (43 cm) Overall Length, Channel "A" Yellow, Channel "B" Blue, Dual Channel Acceleration Input

VIBRATION ANALYSIS HARDWARE



Specification	
Jacket Material	Black Polyurethane
Cable Length	17 in. (43 cm) ±1 in. (2.5 cm)
Connectors	5 Pin Molded M12, to Two BNC "F" Plugs Labeled: Chan A (Yellow) Chan B (Blue)
Input	Acceleration Input Only
Cable Diameter	One 0.25 in. (6.35 mm) Cable into Two 0.175 in. (4.45 mm) Cables
Conductor Cable	One 4 Conductor Cable into Two 2 Conductor Cables
Max Temperature	250 °F (121 °C)

## Compatible Data Collectors

CSI2130 only

**Built to Order**

Backed by our Unconditional Lifetime Warranty

[www.ctconline.com](http://www.ctconline.com) | [sales@ctconline.com](mailto:sales@ctconline.com) | 585-924-5900