

NEW

LASER ALIGNMENT FOR SHAFT

AL30

- EASY TO USE
- DOUBLE LASER
- WIRELESS



CEMB

BALANCING MACHINES

AL30

THE SOLUTION FOR SHAFT ALIGNMENT

The new alignment system is a product created to carry out accurate alignment measurements.

The measure is very fast and accurate and shows in real time the adjustments that are made. The easy measurement procedure is shown on the instrument display.

The software show step by step the procedure to align the shaft and to make the necessary adjustments with live feedback. Red Colour - Out of tolerance Colour green indicates when the shaft alignment is in tolerance

WHY ALIGN?

- Increase the lifetime of the machine
- Reduce vibrations
- Increase efficiency and productivity
- Reduce downtime

SUITABLE FOR:

- Motors
- Pumps
- Fan
- Gearboxes



SOFT-FEET CHECK

This function checks if there is a soft foot condition, i. e. when the motor is not positioned firmly on all of its feet.



SHAFT ALIGNMENT

Determine and correct the relative position of two horizontally mounted machines that are connected, such as a motor and a pump, so that the rotational centres of the shafts are collinear.



INTUITIVE INTERFACE

Procedure with intuitive interface that guides the operator throughout the alignment procedure.



REAL-TIME ADJUSTMENT

Guided adjustment of the motor alignment with live feedback.



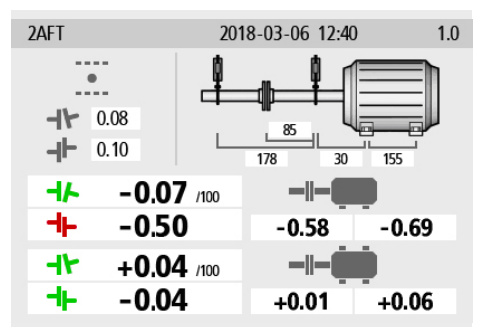
MEMORY MANAGER

Measurements can be organised in folders and subfolders. Single measurements and/or complete data structures can be copied to a PC via USB connector.



CUSTOMIZABLE REPORT

Thanks to the downloadable results in format image, they can be created with extreme ease producing personalized reports.





AL30 CONSOLE

- Both shaft positions are monitored simultaneously
- Live values during adjustment
- Measures once, adjustment control in two directions
- Adaptive and icon based user interface
- Colour screen
- Colour coded measurement results
- High measure repeatability
- Integrated wireless units
- Compatible with all standard 5V mini USB chargers and 12V car adapter



LASER HEAD SENSORS

- Laser sensors - LHS – LHM

The laser sensors allowing quick and easy set up and adjustment. They communicate wireless with AL30 unit, simplifying adjustment operations when working around machine. D-brackets and chain clamps are made for working with large shaft sizes.



STANDARD ACCESSORIES

Portable unit with 4" colour TFT backlight display

- No. 2 dual-laser line sensors for an easy and quick fitting
- No. 2 set of V-supports complete with rods, hooks and chains
- No. 1 measuring tape
- Battery charger and USB cables
- Universal adapter for battery charger
- Instruction manual
- Suitcase for transport

OPTIONAL ACCESSORIES

- USB pendrive with customizable template of alignment report
- Couple of extension chains (Ø30-500mm)
- Couple of Rods 150mm



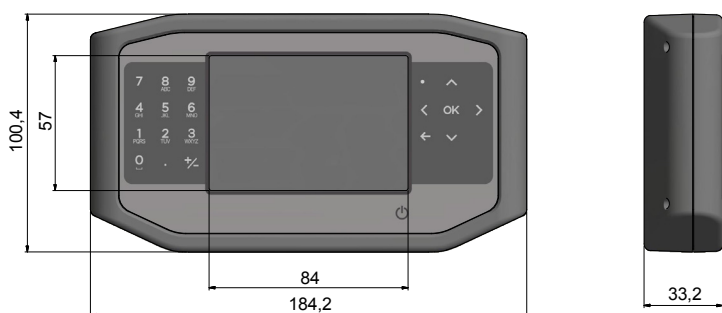
TECHNICAL DATA

CONSOLE

Weight	■ 328 g
Dimensions	■ 184 x 100 x 33 mm
Environmental protection	■ IP54
Flash storage memory	■ 500 Mb
Display	■ 4" diagonal Colour TFT-LCD backlit
Power supply	■ Rechargeable Li-Ion battery or external power supply
Operating time	■ 8 hours continuous use

LASER HEAD SENSORS

Weight	■ 222 g
Dimensions	■ 94 x 87 x 37 mm
Environmental protection	■ IP54
Laser	■ 650 nm class II diode laser
Detector	■ Digital line sensor
Power supply	■ Li-Ion battery or external power
Operating time	■ 12 hours continuous use (measuring)



CEMB
BALANCING MACHINES

CEMB S.p.A.
Via Risorgimento, 9
23826 MANDELLO DEL LARIO (LC) Italy
www.cemb.com



Vibration analysis division:
phone +39 0341 706111
fax +39 0341 706299
e-mail: stm@cemb.com

All the data and features mentioned in this catalogue are purely for information and do not constitute any commitment on the part of our company, which reserves the right to make any and all alterations it may consider suitable without notice.