

AC165 Series

Negative Voltage Accelerometer, Top Exit 3 Pin Connector, 100 mV/g, ±5%



VIBRATION ANALYSIS HARDWARE



Product Features

Comparable to Bently™ 330400

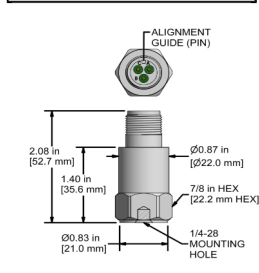
3 Wire Negative Voltage Sensor

- ▶ 100 mV/g Nominal Sensitivity
- ▶ ± 5% Sensitivity Tolerance
- ▶ ± 80 g, Peak Dynamic Range

AC165-1A

3 Pin Connector

Connector Pin	Polarity
A	(+) Signal
B	(-) Power-Negative
C	(+) Common/Power

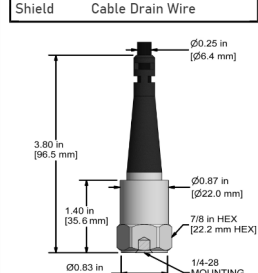


Stock Product

AC165-2C

CB105 Integral Cable

Conductor	Polarity
Red	(+) Signal
Black	(-) Power-Negative
White	(+) Common/Power
Shield	Cable Drain Wire

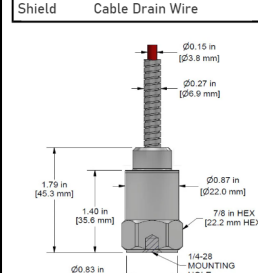


Built To Order

AC165-3C

CB218 Armored Integral Cable

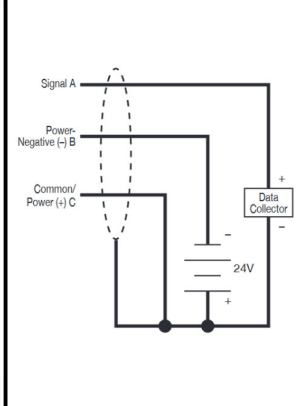
Conductor	Polarity
Red	(+) Signal
Black	(-) Power-Negative
White	(+) Common/Power
Shield	Cable Drain Wire



Built To Order

AC165

Wiring Diagram



Specifications	Standard	Metric	Specifications	Standard	Metric
Part Number	AC165	M/ or M8/AC165	Environmental		
Sensitivity (±5%)	100 mV/g		Operating Temperature Range	-58 to 250 °F	-50 to 121 °C
Frequency Response (±3dB)	300-900,000 CPM	5.0-15000 Hz	Maximum Shock Protection	5,000 g, peak	
Frequency Response (±10%)	600-600,000 CPM	10.0-10000 Hz	Sealing	Welded, Hermetic	
Dynamic Range	± 60 g, peak *Vsource ≤ -20V, 8.5Vbias		SIL Rating	SIL 2	
Electrical			Physical		
Settling Time	<2 Seconds		Sensing Element	PZT Ceramic	
Voltage Source (IEPE)	-20 to -28 VDC		Sensing Structure	Shear Mode	
Constant Current Excitation	<1 mA		Weight	3.2 oz	90 grams
Broadband Noise Floor (10 to 15k Hz)	.002 g RMS		Case Material	316L Stainless Steel	
Output Impedance	<5 ohm		Mounting Thread	1/4-28 Blind Tapped Hole	
Bias Output Voltage	-8.5 VDC Nominal		Connector (Non-Integral)	3 Pin MIL-C-5015	
Case Isolation	>10 ⁸ ohm		Resonant Frequency	1,380,000 CPM	23000 Hz
			Mounting Torque	2 to 5 ft. lbs.	2.7 to 6.8 Nm
			Mounting Hardware Supplied	1/4-28 Stud	M6x1 or M8x1.25 Adapter Stud
			Calibration Certificate	CA10	

Typical Frequency Response



Backed by our Unconditional Lifetime Warranty & Free Annual Recalibration Service

www.ctconline.com | sales@ctconline.com | 585-924-5900